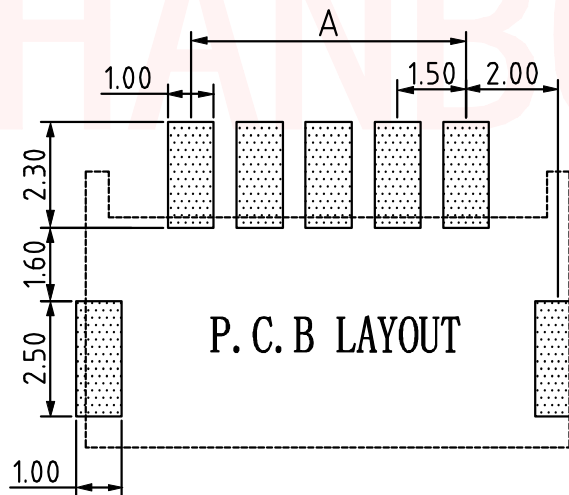
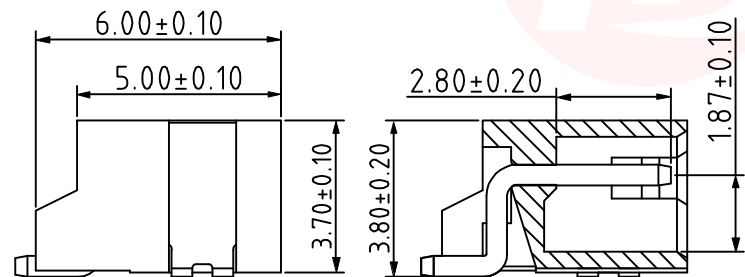
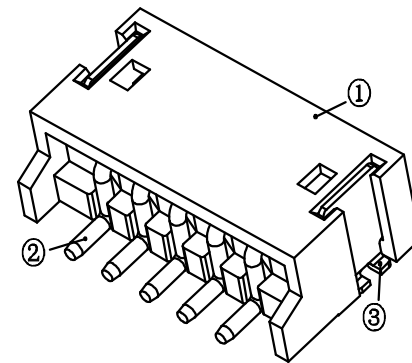
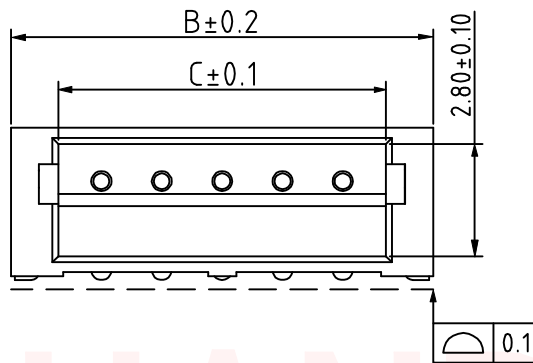
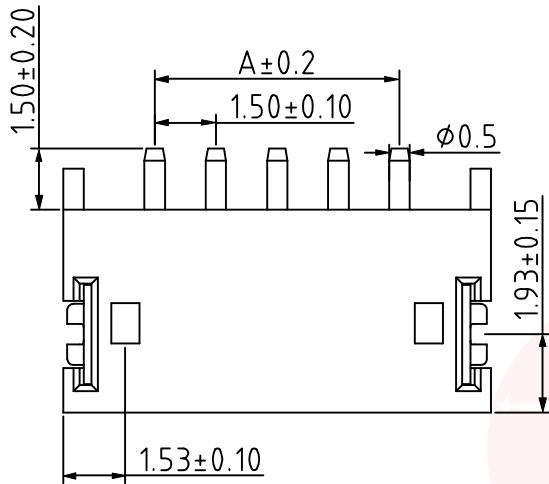




REV.	ECN NO OR DESCRIPTION	REVISED	DATE



Pin	A	B	C
2A	1.50	6.00	3.65
3A	3.00	7.50	5.15
4A	4.50	9.00	6.65
5A	6.00	10.50	8.15
6A	7.50	12.00	9.65
7A	9.00	13.50	11.15
8A	10.50	15.00	12.65
9A	12.00	16.50	14.15
10A	13.50	18.00	15.65
11A	15.00	19.50	17.15
12A	16.50	21.00	18.65
13A	18.00	22.50	20.15
14A	19.50	24.00	21.65
15A	21.00	25.50	23.15
16A	22.50	27.00	24.65

技术参数

间距: 1.5

温度范围: -25~+85°C

额定电压: 250V AC, DC

额定电流: 1.0A AC, DC

接触电阻: 20mΩ

绝缘电阻: 500MΩ

耐压: 500V AC/minute

UNLESS OTHERWISE SPECIFIED TOLERANCES

DECIMALS: ANGLES:  
 X :±0.35 X :±2°  
 X.X :±0.25 X.X :±1°  
 X.XX :±0.15



东莞市汉博电子科技有限公司  
 DONGGUAN HANBO TECHNOLOGY CO., LTD

TITLE	WAFER 针座 1.5 卧贴			
DWN	xiong	PART NO. WAFER-150W-NA		
CHKD	lee	SCALE:1:1	UNIT: mm	④
APVD	wang	SIZE: A4	SHEET:10F 1	REV: A4
CUSTOMER COPY				