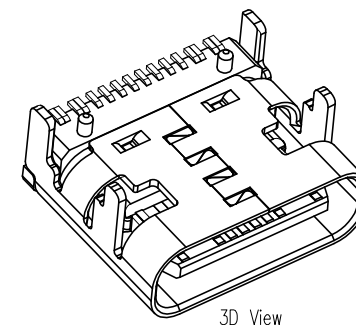
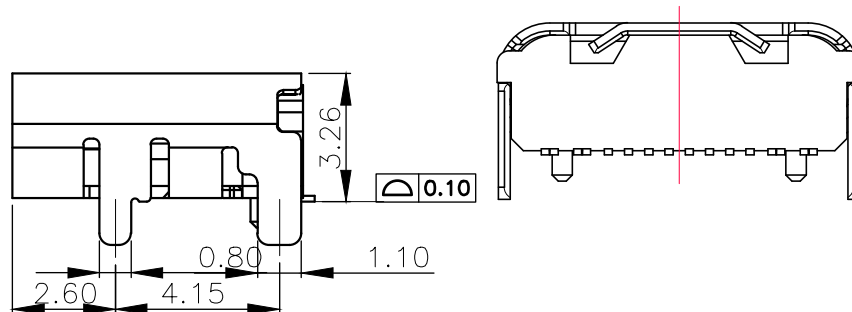
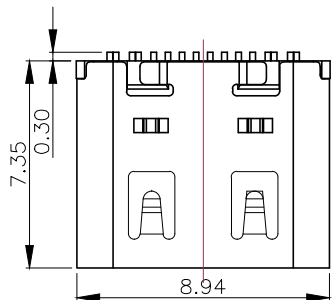


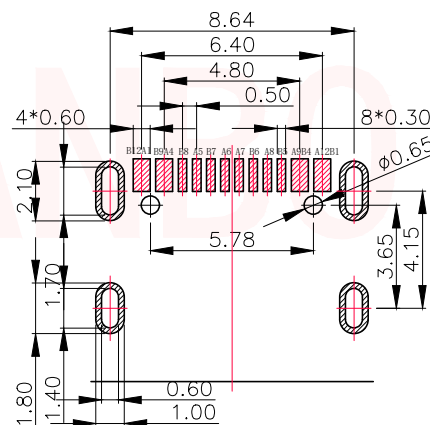
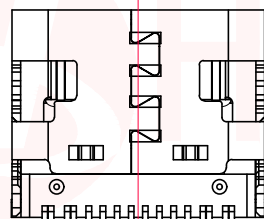
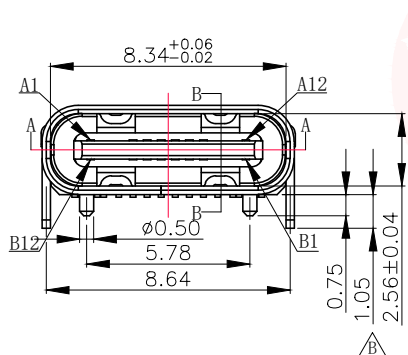


REV.	ECN NO OR DESCRIPTION	REVISED	DATE



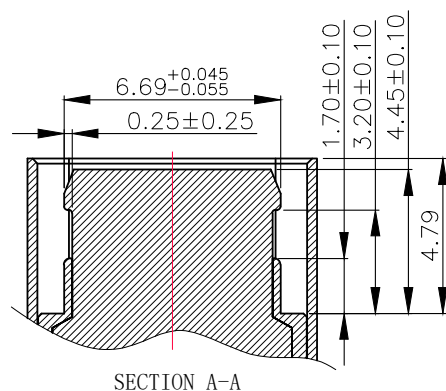
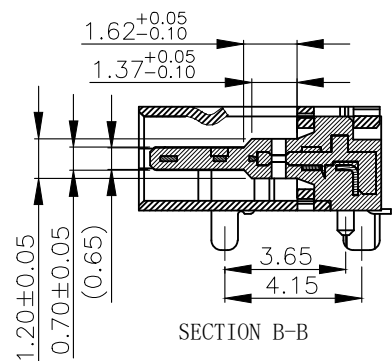
SPECIFICATION:

- Material:
 - HOUSING&MOLDING:LCP,UL94 V-0
 - CONTACTS:COPPER ALLOY T=0.20mm
 - MIDDLE CLIP:SUS301-1/2H,T=0.15mm
 - SHELL:SUS, T=0.30mm
- Mechanical:
 - 2.1.Mating force:5~20Nf Max.;
 - 2.2.Unmating force:6~20Nf Min.;
 - 2.3.Durability:10000 Cycles;
- Electrical:
 - 3.1.Current Rating:3A Max.;
 - 3.2.Voltage Rating:20V Max.;
 - 3.3.Dielectric Withstanding voltage:100VAc;
 - 3.4.Contact resistance:40m Ohms Max.;
 - 3.5.Insulation Resistance:100M Ohms Min.;
- Environmental:
 - 4.1.Operating temperature:-40°C~+85°C;
 - 4.2.Wetting Temperature:265±5°C,5±0.5s



(TOP VIEW)
 RECOMMENDED P. C. B. LAYOUT (T:1.0~1.2mm)
 TOLERANCE UNSPECIFIED ±0.05mm

PIN ASSIGNMENT											
A1	A2	A3	A4	A5	A6	A7	A8	A9	A10	A11	A12
GND			VBUS	CC1	D+	D-	SBU1	VBUS			GND
GND			VBUS	SBU2	D-	D+	CC2	VBUS			GND
B12	B11	B10	B9	B8	B7	B6	B5	B4	B3	B2	B1



UNLESS OTHERWISE SPECIFIED TOLERANCES		东莞市汉博电子科技有限公司 DONGGUAN HANBO TECHNOLOGY CO., LTD			
DECIMALS:	ANGLES:	TITLE	TYPE-C 16PIN 板上型四脚插件 带双压片L=7.35mm		
X :±0.50	.X° :±3.0°	DWN	xiong	PART NO. MC-107DM	
.X :±0.35	.XX° :±2.5°	CHKD	lee	SCALE:1:1	UNIT: mm
.XX :±0.25	.XXX° :±2.0°	APVD	wang	SIZE: A4	SHEET:1OF 1
.XXX :±0.15					REV: A4
CUSTOMER COPY					



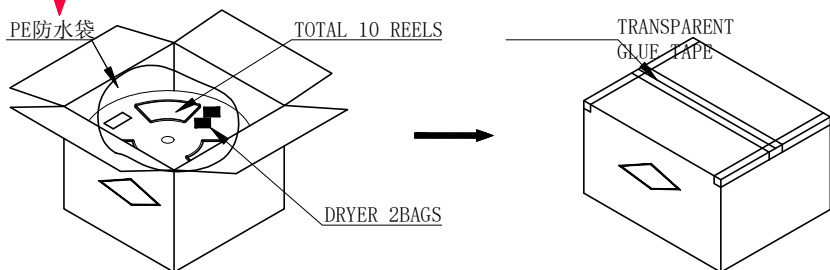
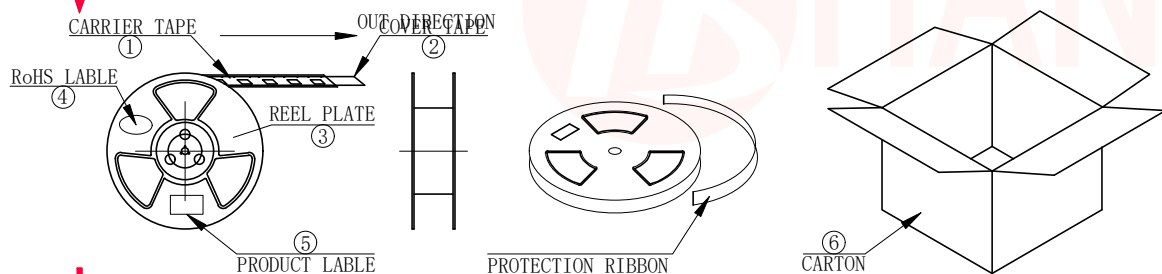
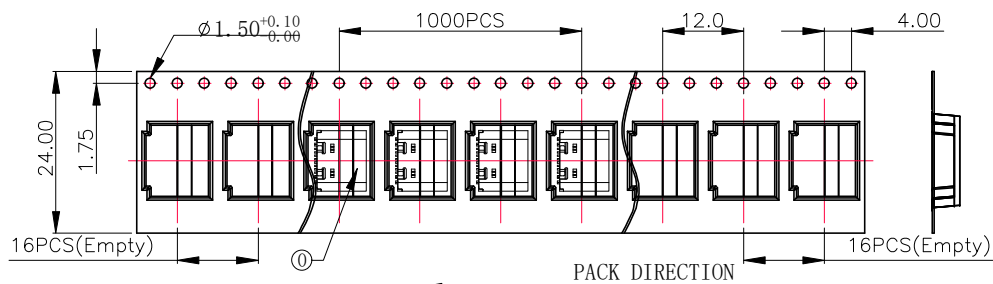
REV.	ECN NO OR DESCRIPTION	REVISED	DATE

说明:

1. 每卷前后各空16PCS, 尾部用美纹胶纸封住;
2. 将产品放满盘后, 再卷一圈保护带, 用美纹胶纸将其封住, 并贴上1Pcs物料标签;
3. 每10卷盘一叠共10000Pcs并装入1个外箱内;
4. 在搬运过程中要轻拿轻放;
5. 在运输中不可堆放过多(1.8M最高), 不可重压;
6. 跌落测试条件:

成品箱从1.2米高度自由落体(一角三棱六面):

- a. 产品不可跑出下带凹槽;
- b. 产品不可有摔伤, 变形;
- c. 内包装材料不可严重破损.



NO.	NAME	SPEC	Q' TY
①	TYPE C RECEPTACLE		10000PCS/CARTON
①	CARRIER TAPE	W=24mm, T=0.35mm	1000PCS/PLATE
②	COVER TAPE	W=21.5mm	10PLATES/CARTON
③	REEL PLATE	330*100*24.4mm	10PCS/CARTON
④	RoHS LABEL		10PCS/CARTON
⑤	PRODUCT LABELER		10PCS/CARTON
⑥	CARTON	350*340*310mm	1PCS/PACKAGE

UNLESS OTHERWISE SPECIFIED TOLERANCES

东莞市汉博电子科技有限公司
DONGGUAN HANBO TECHNOLOGY CO., LTD

DECIMALS:	ANGLES:	TITLE	TYPE-C 16PIN 板上型四脚插件 带双压片L=7.35mm-包装图		
X :±0.50	.X° :±3.0°	DWN	xiong	PART NO. MC-107DM	
.X :±0.35	.XX° :±2.5°	CHKD	lee	SCALE:1:1	UNIT: mm
.XX :±0.25	.XXX° :±2.0°	APVD	wang	SIZE: A4	SHEET:10F 1
.XXX :±0.15					REV: A4

CUSTOMER COPY